



## **BDTX AC KANAL TİPİ RADYAL FANLAR**

### **BDTX AC In-Line DUCT FANS**

Tube fans unit the advantages of the axial fan – straight airflow and easy installation - with the high pressure stability, low noise level and high efficiency of centrifugal fans. Both sides of the BDTX series fan can be fitted into the tube and can be fixed with fastening clamps. Fans can be performed in any mounting position.

**Material:** The housing is made of powder - coated sheet iron, impeller is made of galvanized sheet metal.

**Insulation Class:** B

**Directive:** Complying with EN 60335-1 , EN 60335-2-80

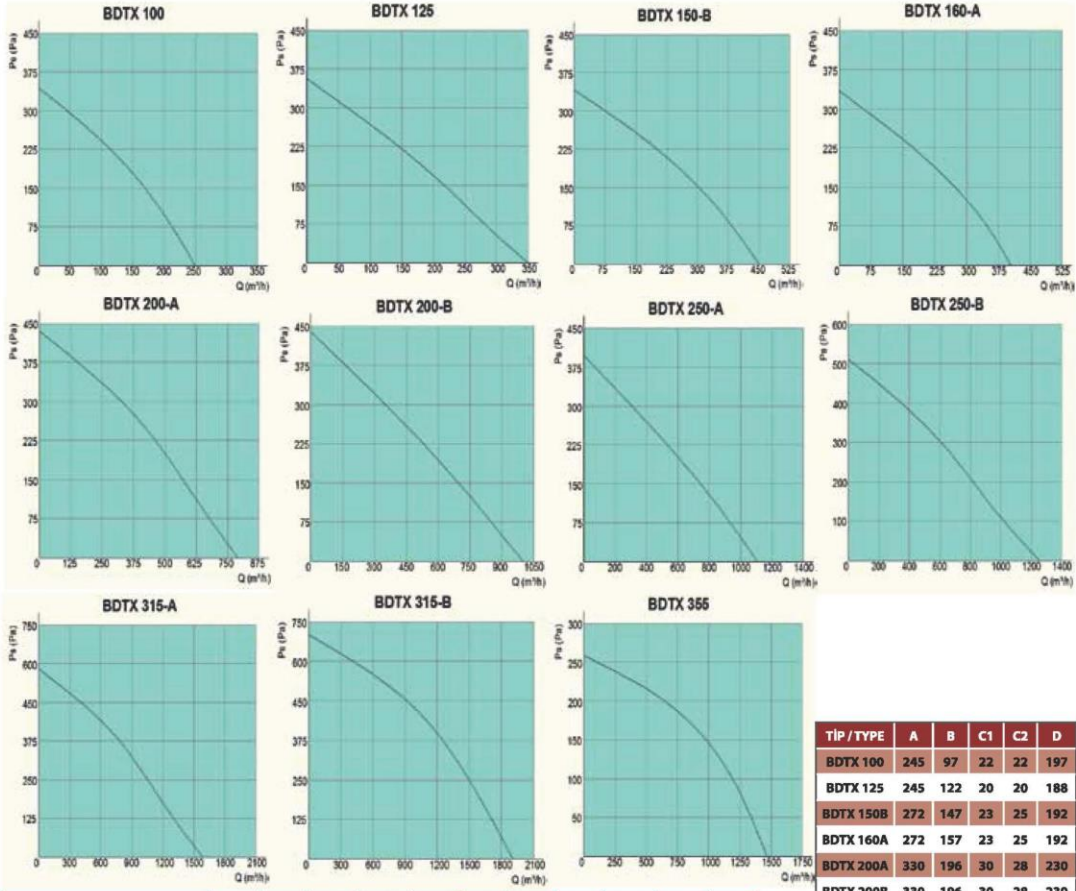
**Protection of Motor:** Thermal overload protection is available upon request.  
(Connector box- IP 55)

**Connection:** Can be easily installed with supplied mounting brocked.

2 years warranty.

Speed can be adjusted using an optional controller.

**Application Areas:** For industrial and constructional applications, in factories, hospitals, night clubs, offices, kitchens, bathrooms, theaters, condominiums, restaurants, etc.

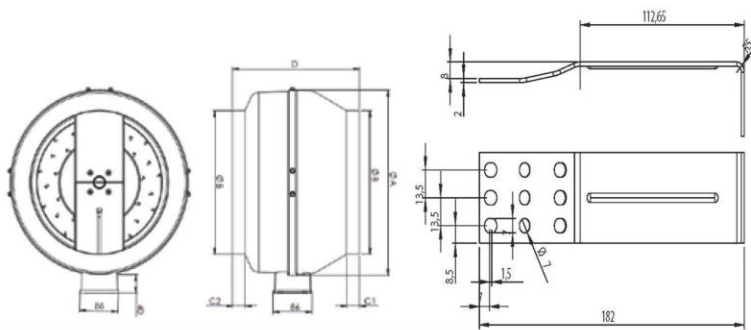


TİP / TYPE	BDTX 100	BDTX 125	BDTX 150-B	BDTX 160-A	BDTX 200-A	BDTX 200-B	BDTX 250-A	BDTX 250-B	BDTX 315-A	BDTX 315-B	BDTX 355
VOLTAJ / VOLTAGE (V)	230	230	230	230	230	230	230	230	230	230	230
FREKANS / FREQUENCY (Hz)	50	50	50	50	50	50	50	50	50	50	50
GÜÇ / POWER (W)	60	80	85	80	85	110	120	140	170	200	130
KONDANSATÖR / CAPACITOR (µF)	2	2.5	2.5	2.5	2.5	4	4	5	5	7	4
DEVİR / SPEED (Rpm)	2580	2255	2345	2450	2315	2550	2550	2550	2400	2545	1380
AĞIRLIK / WEIGHT (Kg)	3.4	3.4	3.7	3.5	5.3	5.6	5.8	6.3	7.1	8.2	11.2
SES SEVİYESİ / SOUND PRESSURE LEVEL dB(A)	44	49	51	51	49	51	53	54	52	54	47

TİP / TYPE	A	B	C1	C2	D
BDTX 100	245	97	22	22	197
BDTX 125	245	122	20	20	188
BDTX 150B	272	147	23	25	192
BDTX 160A	272	157	23	25	192
BDTX 200A	330	196	30	28	230
BDTX 200B	330	196	30	28	230
BDTX 250A	330	247	30	28	227
BDTX 250B	330	247	30	28	227
BDTX 315A	400	313	30	30	285
BDTX 315B	400	313	30	30	285
BDTX 355	400	352	30	30	378

Ölçüler mm cinsindedir.  
Dimensions are in (mm)  
Размеры указаны в (мм)

BDTX 100 - 125 - 150 - 160



BDTX 200 - 250 - 315

