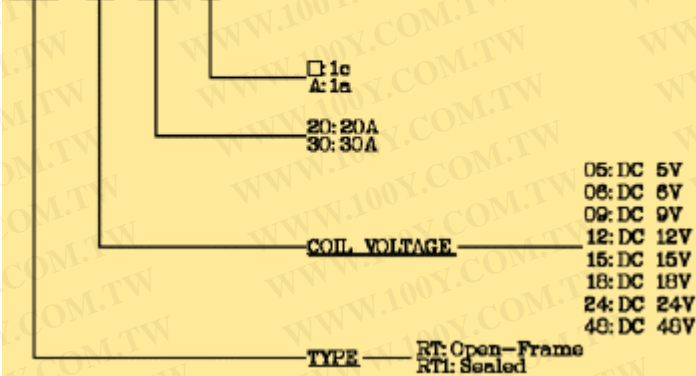


# RT1 SERIES

ORDER CODE

**RT1-12-20-A**



## Main Features:

- UL and CUR safety approval.
- Open type, flux free, and sealed type available.
- Up to 30amps switching in SPNO and 20amps switching in SPDT arrangement.
- Suitable for various industrial.

勝特力材料 886-3-5753170  
 勝特力电子(上海) 86-21-54151736  
 勝特力电子(深圳) 86-755-83298787  
[Http://www.100y.com.tw](http://www.100y.com.tw)

## COIL RATING (at 20°C)

NOMINAL VOLTAGE (VDC)	COIL RESISTANCE ( $\Omega$ ) (+/- 10%)	POWER CONSUMPT -ION (W)	NOMINAL CURRENT (mA) (+/- 10%)	PULL IN VOLTAGE (VDC)	DROP OUT VOLTAGE (VDC)	MAX. ALLOWABLE VOLTAGE (VDC)
5V	27 $\Omega$	0.93W	185.0 mA	80 % MAX.	5 % MIN.	150 %
6V	40 $\Omega$		150.0 mA			
9V	97 $\Omega$		93.0 mA			
12V	155 $\Omega$		77.0 mA			
15V	255 $\Omega$		59.0 mA			
18V	380 $\Omega$		47.0 mA			
24V	660 $\Omega$		36.0 mA			
48V	2560 $\Omega$		18.8 mA			

勝特力材料 886-3-5753170  
 勝特力电子(上海) 86-21-54151736  
 勝特力电子(深圳) 86-755-83298787  
[Http://www.100y.com.tw](http://www.100y.com.tw)

## PERFORMANCE (at initial value)

Item	Type	1c	1a
Contact Resistance		100m $\Omega$ Max. (initial value)	
Operate Time		15msec Max.	
Release Time		10msec Max.	
Dielectric Strength	between coil & contact between contact	AC 1500V (1min) AC 1500V (1min)	
Insulation Resistance		100M $\Omega$ Min.(DC 500V)	
Operating Ambient Temperature		-35°C ~ +85°C	
Humidity		35 to 85% RH	
Vibration Resistance		10G (10~55 Hz)(Dual amplitude: 1.5mm)	
Shock Resistance		10G	
Life Expectancy	Mechanically Electrically	10,000,000 ops. Min. (1800 ops./h) 100,000 ops. Min. (1200 ops./h)	
Weight		RT:23g RT1:28g (about)	

## CONTACT RATING

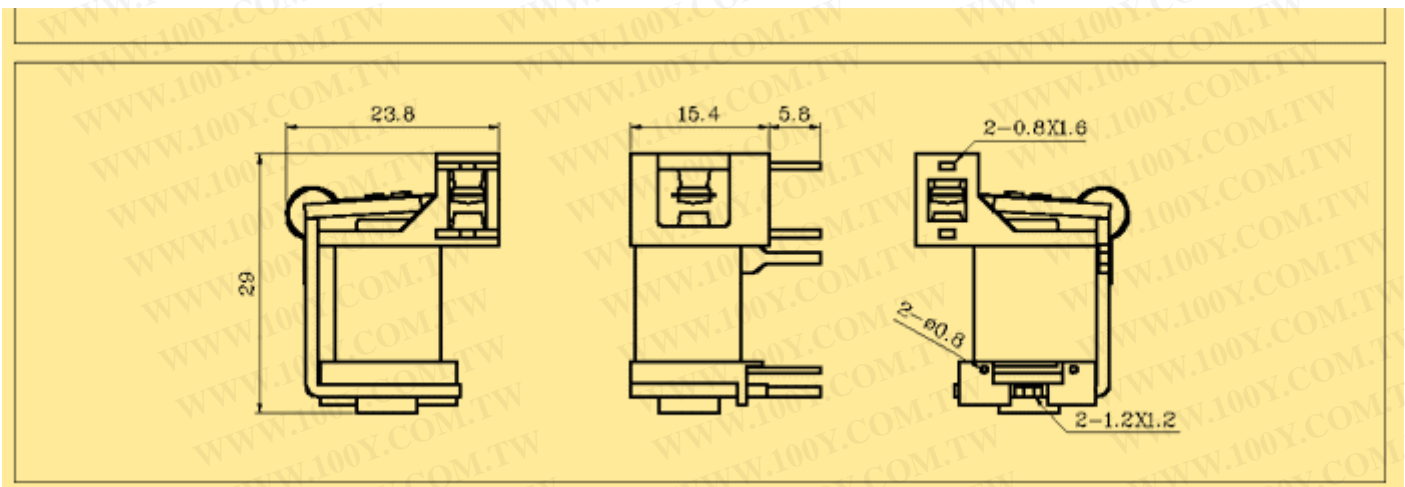
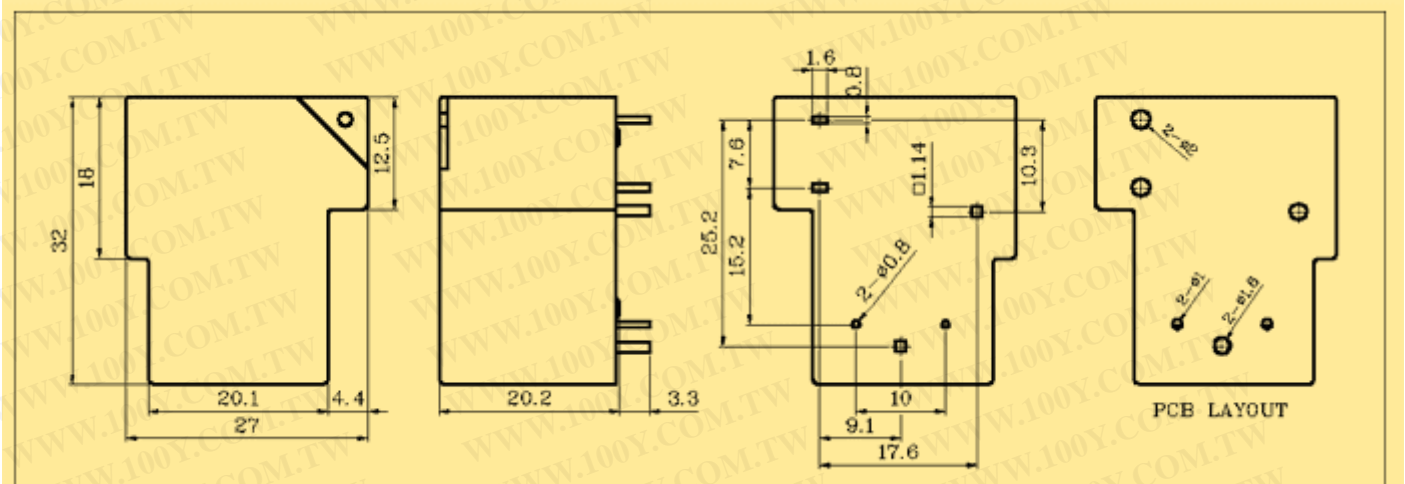
Item	Type	1c	1a
Rated Carrying Current		AC 250V 20A AC 125V 20A DC 30V 20A	AC 250V 30A AC 125V 30A DC 30V 30A
Motor load		AC 250V 2HP AC 125V 1HP	
Max. Allowable Current		20A	30A
Max. Allowable Voltage		AC 250V	
Max. Current (continual)		20A	30A
Min. Load		DC 10V 10mA	

Contact Material

Ag alloy

## DIMENSIONS (Unit : mm)

勝特力材料 886-3-5753170  
勝特力电子(上海) 86-21-54151736  
勝特力电子(深圳) 86-755-83298787  
[Http://www.100y.com.tw](http://www.100y.com.tw)



## WIRING DIAGRAMS (Bottom View)

