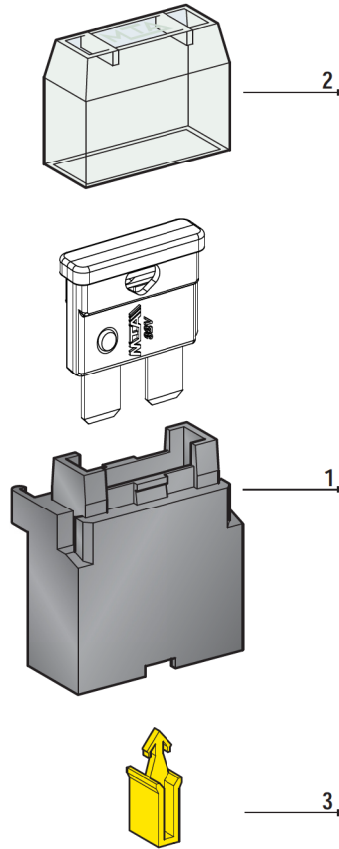
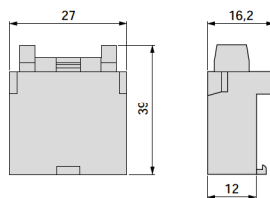


UNIVAL[®] HOLDER



IMG	DESCRIPTION	WAY	MATERIAL	COLOUR	P/N BOX	M.O.Q.	P/N BULK	M.O.Q.
1	HOLDER WITH TERMINALS	1	PA66	■ Black	0100351	250	0300351	1250
	HOLDER WITHOUT TERMINALS	1	PA66	■ Black			0300354	1000
	HOLDER WITH TERMINALS AND CABLES	1	PA66	■ Black	0100350	25		
2	COVER		PC	■ Transparent	0100359	250	0300359	500
3	SECONDARY LOCK		PA66	■ Yellow			0300357	250
	KIT WITH COVER, TERMINALS FIXING PLATE AND EXTRACTOR				0100353	10		



CONNECTIONS AND FIXINGS



03.00352



UNI F630



UNI F630